

GHDS-30 Heavy Duty Soft-Down Stay

Upward opening · Heavy duty

Opening Direction	Description	Non-handed	Model	Maximum Door Moment
 Upward-opening	With Catch	-	K	13.7~19.5 N·m/2 pcs (140~199 kgf·cm/2 pcs)
	For Use in Pairs		M	19.6~24.4 N·m/2 pcs (200~249 kgf·cm/2 pcs)
			H	24.5~29.4 N·m/2 pcs (250~300 kgf·cm/2 pcs)

Features

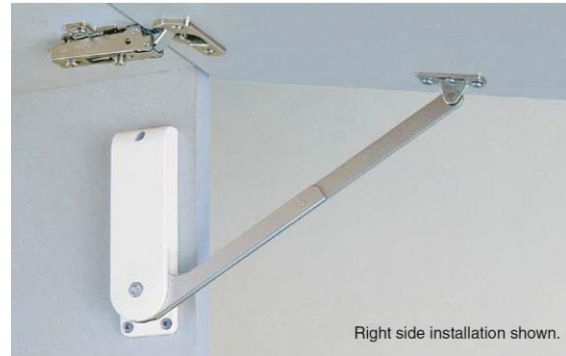
- Soft-closing for upward-opening doors
- Designed to hold the door in fully opened and closed position
- For door hinge, piano/butt hinge or concealed is suitable
- GAS** accessories for aluminium frame installation available, contact Gripwell for assistance

Notes

- Operating temperature: 0°C ~ 40°C
- Used in pairs
- Do not push the door further over 80°
- Do not open and close the door roughly

Parts Included

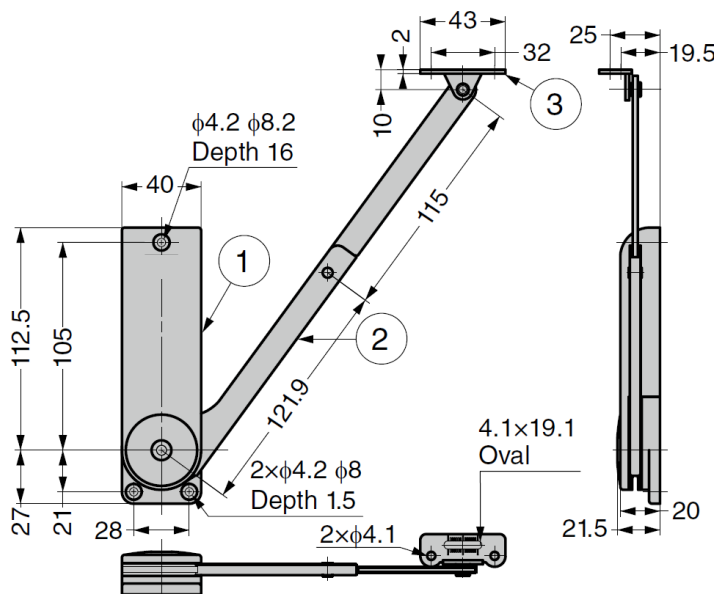
- Mounting plate
- Binding head tapping screw 3.5×15



Applicable Range

- Choose from 3 types according to maximum door moment
- Maximum Door Moment (N.m) = Door weight (kg) × 9.80665 × Distance from rotation centre to door centre of gravity (m)

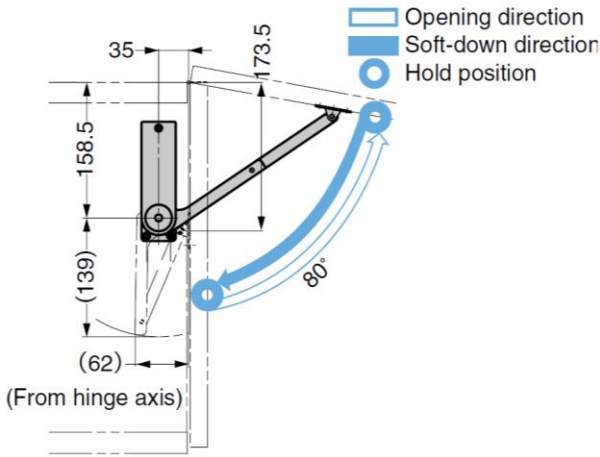
Maximum door moment N · m	Model	Qty
13.7~19.5	K	2 pcs
19.6~24.4	M	
24.5~29.4	H	



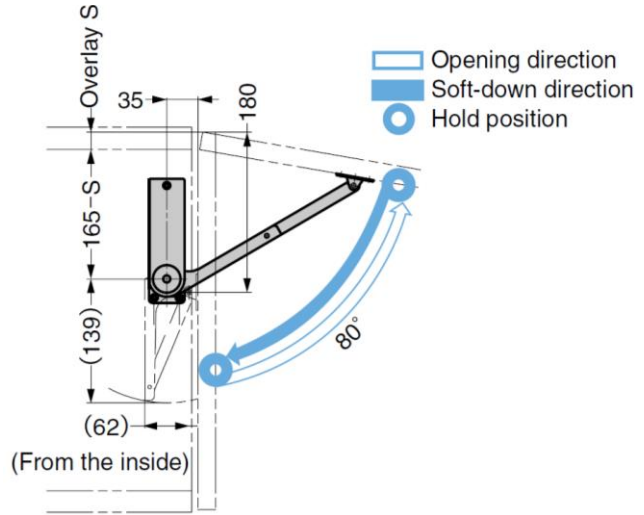
No.	Part Name	Material	Finish/Colour
①	Body	ABS	Black, White
②	Arm	Steel (SPCC)	Nickel
③	Mounting Plate		

Installation Illustration: Right side installation for upward-opening 80°. Left side installation is symmetrical

With piano / butt hinge



With concealed hinge



Part No.	Type	Material	Finish	Model	Maximum Door Moment (per pair)	
GHDS-30KR-BL	Right-handed	ABS / Steel	Nickel / Black	K	13.7 ~ 19.5 N.m	140 ~ 199 kgf.cm
GHDS-30KL-BL	Left-handed		Nickel / White			
GHDS-30KR-WT	Right-handed		Nickel / Black	M	19.6 ~ 24.4 N.m	200 ~ 249 kgf.cm
GHDS-30KL-WT	Left-handed		Nickel / White			
GHDS-30HR-BL	Right-handed		H	Nickel / Black	24.5 ~ 29.4 N.m	250 ~ 300 kgf.cm
GHDS-30HL-BL	Left-handed			Nickel / White		
GHDS-30HR-WT	Right-handed			Nickel / White		
GHDS-30HL-WT	Left-handed			Nickel / White		